



OGLE HALL AV UPGRADES

IVY TECH COMMUNITY COLLEGE 8204 HWY 311 SELLERSBURG, IN CONSTRUCTION DOCUMENTS

DESIGN TEAM

ARCHITECT/ENGINEER



320 PEARL ST., SUITE 100
NEW ALBANY, IN 47150
PHONE: 812.282.9554
FAX: 812.282.9171

DRAWING INDEX

- ARCHITECTURAL
 - A 201 OVERALL FIRST FLOOR REFLECTED CEILING PLAN
- TECHNOLOGY - GENERAL
 - TG 001 TECHNOLOGY SYMBOLS AND GENERAL NOTES
- TECHNOLOGY DEMO
 - TD 101A FIRST FLOOR TECHNOLOGY DEMOLITION PLAN - UNIT A
 - TD 101B FIRST FLOOR TECHNOLOGY DEMOLITION PLAN - UNIT B
- TECHNOLOGY
 - T 101 OVERALL FIRST FLOOR TECHNOLOGY PLAN
 - T 101A FIRST FLOOR TECHNOLOGY PLAN - UNIT A
 - T 101B FIRST FLOOR TECHNOLOGY PLAN - UNIT B
 - T 401 TECHNOLOGY DETAILS
 - T 404 FIBER DETAILS
 - T 421 AUDITORIUM AV DETAILS
 - T 422 COMMUNITY ROOM AV DETAILS
 - T 423 AV SECTIONS AND PHOTOS



OWNER ADDRESS

IVY TECH COMMUNITY COLLEGE
8204 HWY 311
SELLERSBURG, IN 47172



ISSUED FOR DATE

PROJECT TITLE
OGLE HALL AV
UPGRADES

OWNER
IVY TECH
COMMUNITY
COLLEGE

SITE ADDRESS
8204 HWY 311
SELLERSBURG, IN

SHEET TITLE
COVER SHEET

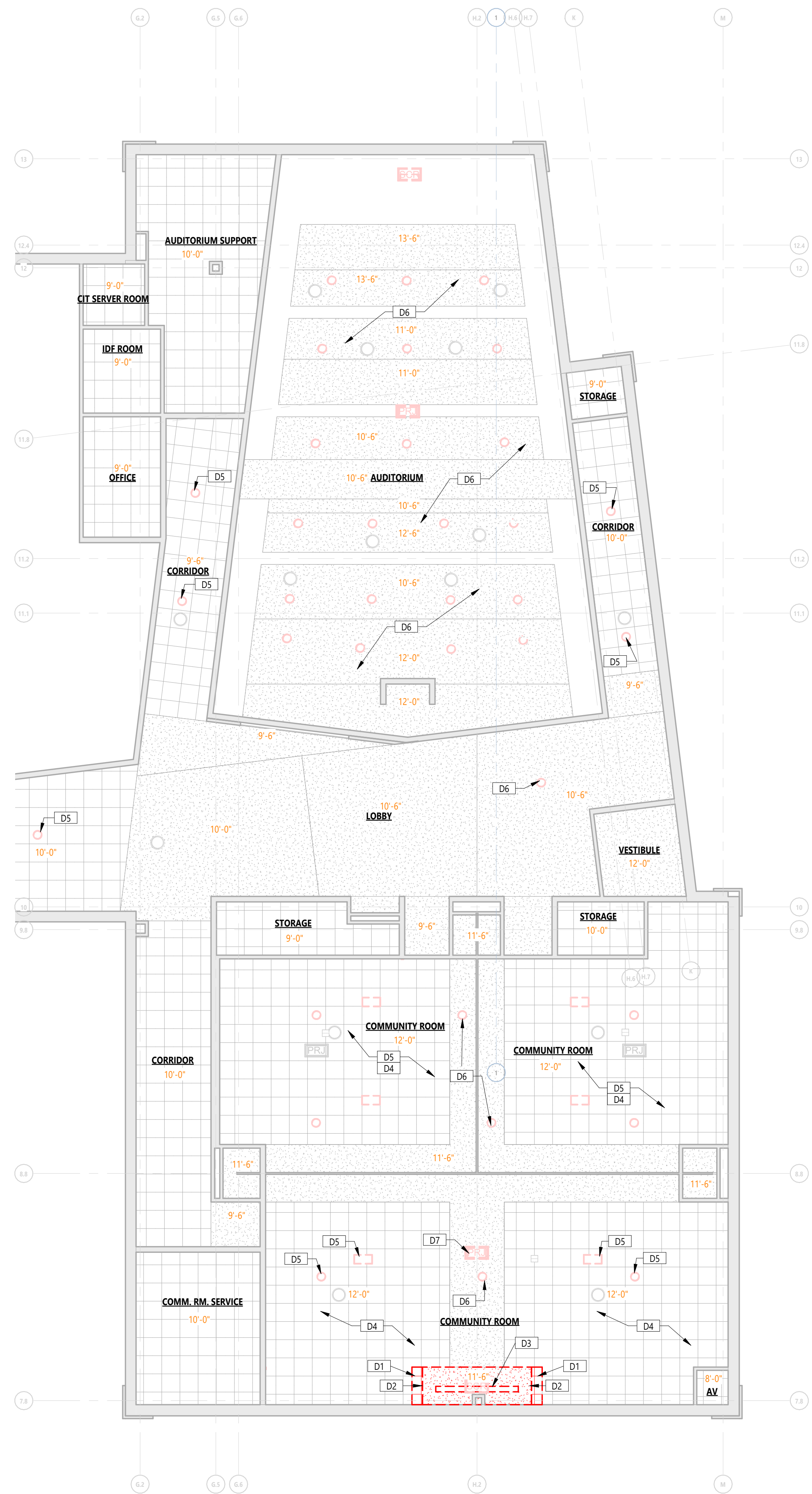
DATE
JUNE 8, 2026

SHEET NUMBER

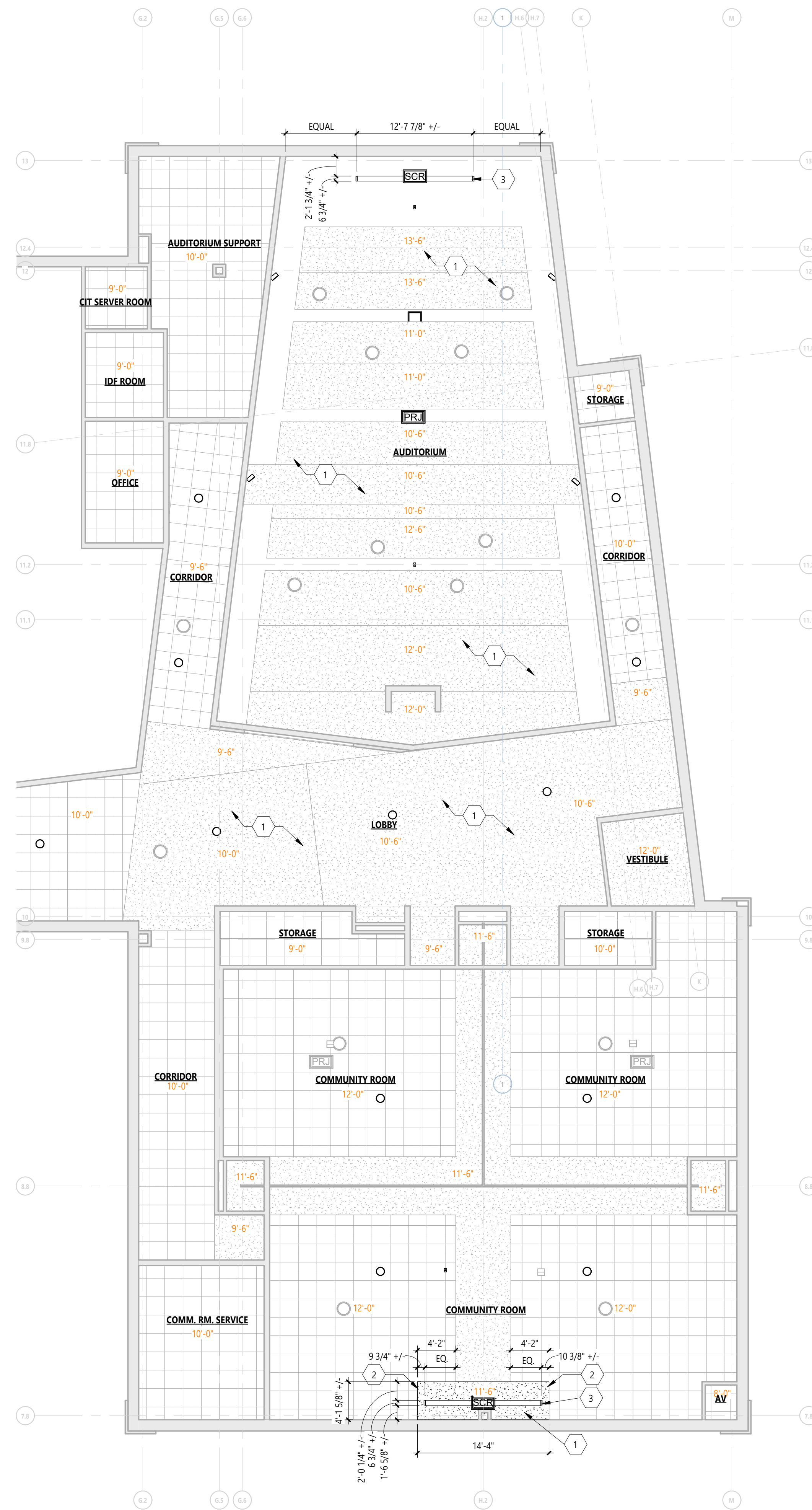
G 001

PROJECT NUMBER
26-064.003

ALL SHEETS INTENDED FOR COLOR PLOT. VERY BLACK AND WHITE PLOT FOR INFORMATION INTEGRITY



OVERALL FIRST FLOOR REFLECTED CEILING DEMOLITION PLAN
1/8" = 1'-0"
0' 6' 12' 18' 24' 30'
GRAPHIC SCALE



FIRST FLOOR REFLECTED CEILING PLAN
1/8" = 1'-0"
0' 6' 12' 18' 24' 30'
GRAPHIC SCALE

NOTES - ARCHITECTURAL	
1	EXISTING FIXED SEATING BELOW AREA OF WORK IN AUDITORIUM. PROTECT DURING DEMOLITION AND CONSTRUCTION. COORDINATE WORK AROUND FIXED SEATING.
KEYED NOTES - REFLECTED CEILINGS - DEMOLITION	
D1	REMOVE, SALVAGE, AND REWORK PORTION OF SUSPENDED ACOUSTICAL CEILING FOR GYPSUM WALLBOARD SOFFIT EXPANSION.
D2	REMOVE VERTICAL FACE OF GYPSUM WALLBOARD AND ASSOCIATED FRAMING.
D3	REMOVE PORTION OF GYPSUM WALLBOARD SOFFIT TO FACILITATE REMOVAL OF EXISTING PROJECTION SCREEN AND INSTALLATION OF NEW SCREEN.
D4	SUSPENDED ACOUSTICAL CEILING TO REMAIN. PROTECT DURING CONSTRUCTION.
D5	REPLACE SUSPENDED ACOUSTICAL TILE AS NEEDED FOR REMOVAL OF SPEAKERS. MATCH EXISTING COORDINATE WITH TECHNOLOGY DRAWINGS.
D6	PATCH, REPAIR, FINISH, AND PAINT HOLE IN GYPSUM WALLBOARD PREVIOUSLY OCCUPIED BY DEMOLISHED SPEAKERS.
D7	PATCH, REPAIR, FINISH, AND PAINT HOLE IN GYPSUM WALLBOARD PREVIOUSLY OCCUPIED BY DEMOLISHED PROJECTOR.
KEY - REFLECTED CEILING	
	GYPSUM BOARD
	LAY-IN ACOUSTICAL TILE GRID
	OR LIGHTING - REFER TO ELECTRICAL LIGHTING PLAN
	MECHANICAL - REFER TO MECHANICAL SHEET METAL PLAN
GENERAL NOTES - REFLECTED CEILINGS	
1	WHERE CEILING TILE IS LESS THAN 3" AT PERIMETER OF ROOM PROVIDE A CUT 2x4 TILE IN LIEU OF FULL 2x2 TILE AND SMALL PIECE OF TILE OR DOUBLE GRID - MATCH 2x2 FOR STYLE AND COLOR.
2	AT AREAS OF EXPOSED CEILING PAINT ALL STRUCTURE, DUCTWORK, PIPING, CONDUIT, HANGERS ETC. COORDINATE WITH MECHANICAL, ELECTRICAL AND PLUMBING SPECIFICATIONS. REFER TO THE REFLECTED CEILING PLANS FOR PAINT COLORS.
KEYED NOTES - ARCHITECTURAL - REFLECTED CEILING	
1	PATCH AND REPAIR GYPSUM WALLBOARD AS NEEDED FROM THE REMOVAL OF EXISTING TECHNOLOGY.
2	NEW 3/8" METAL STUD FRAMING AT 16" O.C. FOR EXTENDED GYPSUM WALLBOARD CEILING.
3	OPENING FOR PROJECTOR SCREEN. COORDINATE WITH TECHNOLOGY DRAWINGS. MATCH EXISTING DIMENSIONS IN THE EAST/WEST DIRECTION.

ISSUED FOR _____ DATE _____

PROJECT TITLE
OGLE HALL

OWNER
IVY TECH CC

SITE ADDRESS
8018 County Rd 311
Sellersburg, IN 47172

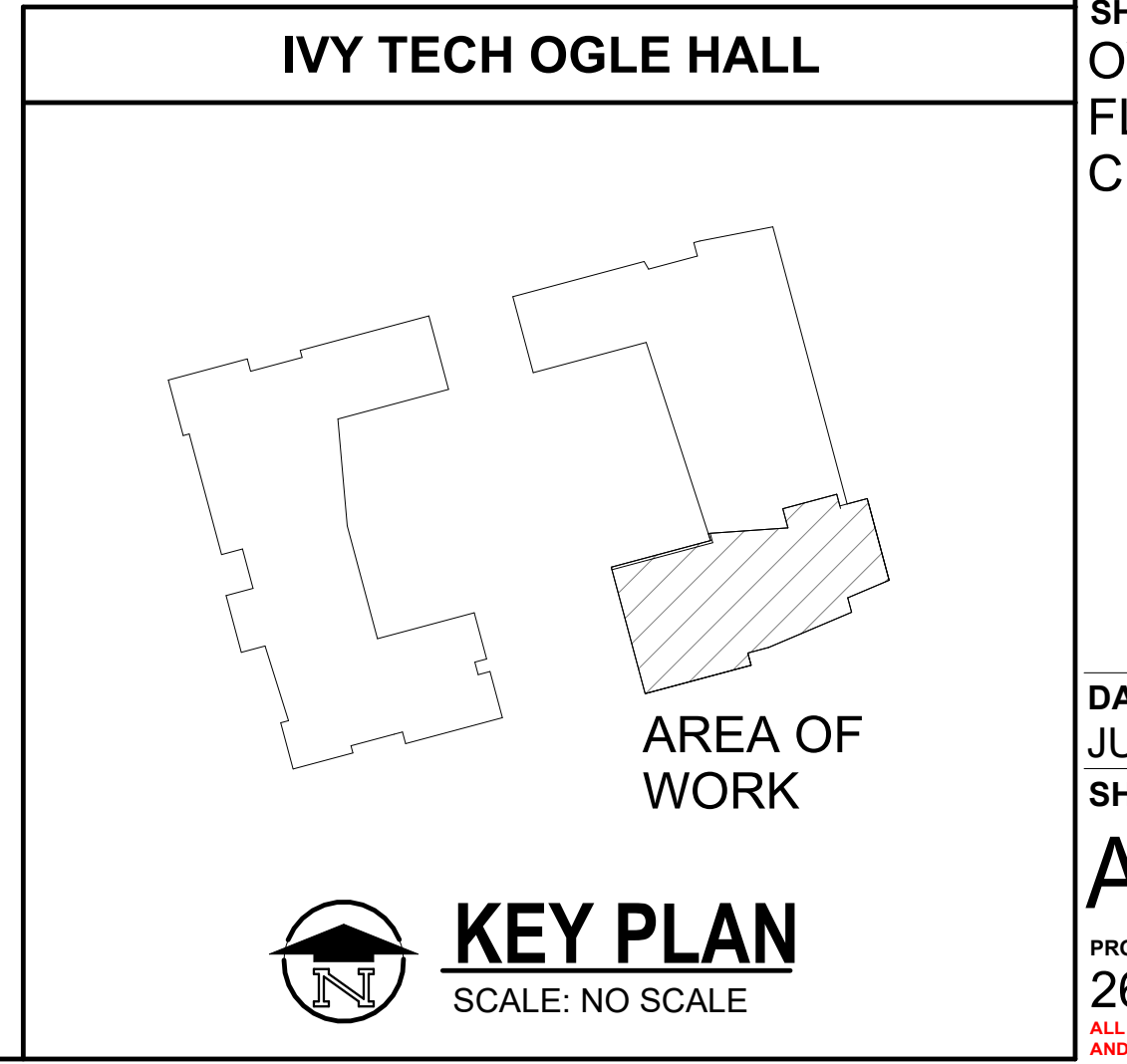
SEAL

SHEET TITLE
OVERALL FIRST FLOOR REFLECTED CEILING PLAN

DATE
JUNE 8, 2026
SHEET NUMBER

A 201
PROJECT NUMBER
26-064.003

ALL SHEETS INTENDED FOR COLOR PLOT. VERIFY BLACK AND WHITE PLOT FOR INFORMATION INTEGRITY.



TECHNOLOGY PROVISION MATRIX

DEVICE TYPE	OWNER PROVIDED	OWNER INSTALLED	CONTRACTOR PROVIDED	CONTRACTOR INSTALLED	COMMENTS
ELECTRIFIED DOOR HARDWARE			X	X	PROVIDED BY DOOR HARDWARE MANUFACTURER.
DEMOLITION OF EXISTING TECHNOLOGY DEVICES, MOUNTING HARDWARE, AND CABLING			X	X	
GROUNDING BUSBARS IN TELECOM ROOMS			X	X	
PATHWAY FOR COMMUNICATIONS (CONDUIT, SLEEVES, ROUGH-IN BOXES, ETC.)			X	X	
CABLE TRAY (OUTSIDE TELECOM ROOMS)			X	X	
CABLE TRAY (INSIDE TELECOM ROOMS)			X	X	
LIPS DEVICES			X	X	
PLYWOOD BACKERBOARD (INSIDE TELECOM ROOMS)			X	X	
NETWORK RACKS			X	X	
BACKBONE DATA CABLING, TERMINATIONS, & PATCH PANELS			X	X	
HORIZONTAL DATA CABLING, TERMINATIONS, & PATCH PANELS			X	X	
NETWORK EQUIPMENT (SWITCHES & WIRELESS ACCESS POINTS)	X	X			
AV EQUIPMENT (INCLUDING AV NETWORK EQUIPMENT), MOUNTING HARDWARE, FACEPLATES, & CABLING			X	X	
SOUND-MASKING SYSTEM (DEVICES & CABLING)			X	X	
SECURITY INTERCOM & CABLING			X	X	
CLOCKS & CABLING			X	X	
ACCESS CONTROL SYSTEM (ENCLOSURES, READERS, SENSORS, POWER SUPPLIES, CABLING, ETC.)			X	X	
SECURITY CAMERAS & CABLING			X	X	

STRUCTURED CABLING

MOUNTING HEIGHTS

	DATA/VOICE OUTLET - 4 SQ BOX, SG COVER, 1" CONDUIT STUB	16"
	DATA/VOICE OUTLET - 4 SQ BOX, SG COVER, SURFACE #MM500	16"
	DATA/VOICE OUTLET - 4 SQ BOX, SG COVER, 1" CONDUIT STUB 4" ABOVE BACKSLASH	
	SECURITY CONTROLS PATHWAY - 4 SQ BOX, SG COVER WITH BRUSH PLATE, 1" CONDUIT STUB	16"
	WIRELESS ACCESS POINT (REFER TO DETAILS)	
	GROUNDING BUS BAR WITH DEDICATED GROUND, (REFER TO DETAILS)	
	CABLE TRAY, (12"x4" UNLESS NOTED OTHERWISE)	
	CLOCK (REFER TO DETAILS)	90" TO CENTER
	MASTER CLOCK PANEL	
	PAGING SYSTEM HEAD END	
	NETWORK COMMUNICATION RACK - FLOOR STANDING 3" CLEAR ON BOTH SIDES 4'X8'X34" FIRE-RATED PLYWOOD, A/C FINISH, MOUNT VERTICALLY	12"
	CONDUIT SLEEVE IN ACCESSIBLE CEILING	
	2" CONDUIT UNLESS NOTED OTHERWISE, ONLY SHOWN ON PLANS INDICATING SPECIFIC CONDITIONS, REFER TO GENERAL NOTES FOR SLEEVES THAT ARE REQUIRED INTO ALL SPACES)	

AUDIO/VISUAL

	TV WALL RECESSED "FSR" BACKBOX (REFER TO DETAILS)	
	PROJECTOR, (REFER TO DETAILS)	
	AV WALL STATION BOXES, USE FSR MUDRING MUD-2G-1" FOR 2-GANG OPENINGS (REFER TO DETAILS)	16"
	PROJECTOR SCREEN CONTROL (REFER TO DETAILS)	
	MICROPHONE JACK	16"
	PAN-TILT-ZOOM CONFERENCE CAMERA (REFER TO DETAILS)	
	BLUETOOTH DEVICE - DEEP 4 SQ BOX, 1-G OPENING, (REFER TO DETAILS)	
	WIRELESS MICROPHONE ANTENNA/TRANSCIEVER, (REFER TO DETAILS)	
	ASSISTIVE LISTENING TRANSMITTER, (REFER TO DETAILS)	
	PROJECTOR SCREEN, (REFER TO DETAILS)	
	PAGING SYSTEM LOUDSPEAKER, CEILING-MOUNTED	
	AV SYSTEM LOUDSPEAKER, CEILING-MOUNTED	
	PAGING SPEAKER VOLUME CONTROL	
	AV TOUCH PANEL, (REFER TO DETAILS)	

NOTES:

MOUNT DEVICES AT HEIGHTS INDICATED UNLESS INDICATED OTHERWISE ON PLANS. HEIGHTS ARE TO BOTTOM OF DEVICE.

GENERAL NOTES - TECHNOLOGY

- TECHNOLOGY CONTRACTOR SHALL BE RESPONSIBLE FOR ALL CUTTING AND PATCHING REQUIRED FOR NEW WORK OR WHERE DEVICES ARE REMOVED AND NOT REPLACED.
- TECHNOLOGY CONTRACTOR SHALL COORDINATE WITH G SERIES SHEETS DEVICE COORDINATION DETAIL. DEVICES ARE TO ALIGN VERTICALLY AND HORIZONTALLY AND FOLLOW THE RULES OF THIS DETAIL CONSISTENTLY. A PRE-INSTALL DEVICE COORDINATION MEETING FOR DEVICE FINISHES AND LAYOUT MAY BE REQUIRED IN THE SPECIFICATION FOR THIS PROJECT.
- REFER TO TECHNOLOGY, ELECTRICAL AND ARCHITECTURAL DETAILS AND ELEVATIONS FOR SYMBOL INFORMATION AND ELEVATION DETAIL.
- DEVICES AND EQUIPMENT SHOWN IN RED, DASHED OR WITH AN "X" ARE TO BE REMOVED. FIXTURES, DEVICES AND EQUIPMENT SHOWN LIGHTLY OR WITH AN "E" ARE EXISTING TO REMAIN UNDISTURBED.
- DEVICES SHOWN WITH AN "R" ARE EXISTING TO BE REPLACED WITH NEW DEVICE AND COVERPLATE.
- TEMPORARILY SUPPORT EXISTING CEILING DEVICES TO REMAIN IN EXISTING CEILINGS TO BE REPLACED. REINSTALL DEVICES INTO NEW CEILING.
- CONTRACTOR SHALL BE RESPONSIBLE FOR PROJECT PHASING. TEMPORARY WIRING TO KEEP SYSTEMS RUNNING SHALL BE PROVIDED AS REQUIRED WHILE BUILDING IS OCCUPIED BETWEEN PHASES OF CONSTRUCTION.

GENERAL NOTES - TECHNOLOGY - STRUCTURED CABLING

- BICSI TECHNICIAN (TECH) CERTIFICATION IS REQUIRED FOR THE LEAD INSTALLER THAT WILL BE ONSITE AT ALL TIMES.
- EACH INSTALLER IS REQUIRED TO BE CERTIFIED BY THE MANUFACTURER OF THE PRODUCTS THAT ARE INSTALLED (I.E. PANDUIT, BELDEN, HUBBELL, COMMSCOPE, ETC.).
- VALID BICSI TECH AND MANUFACTURER INSTALLER CERTIFICATES SHALL BE INCLUDED IN SUBMITTAL PACKAGE.
- ALL CERTIFICATION TEST RESULTS OF THE STRUCTURED CABLING SYSTEM SHALL BE SUBMITTED TO TOWERPINKSTER AS PART OF THE CLOSEOUT PACKAGE.
- STRUCTURED CABLING INTEGRATOR SHALL PROVIDE A MANUFACTURER'S 25 YEAR WARRANTY AT PROJECT COMPLETION.
- ALL CABLES SHALL HAVE A MINIMUM OF 5FT SERVICE LOOP AT OUTLET LOCATION OR AS NOTED ON DRAWINGS.
- ALL DATA CABLES SHALL HAVE A MINIMUM OF 5FT SERVICE LOOP IN THE TELECOMMUNICATIONS ROOM.
- DATA CABLES SHALL NOT BE BUNDLED IN GROUPS OF MORE THAN 24 WITHIN A TELECOMMUNICATIONS ROOM.
- STRUCTURED CABLING INTEGRATOR SHALL PROVIDE THE MINIMUM REQUIRED QUANTITY OF PATCH PANELS NEEDED FOR ALL DATA CABLES PLUS HAVE CAPACITY FOR A MINIMUM OF 20 FUTURE DATA CABLES.
- ALL DATA FACEPLATES SHALL MATCH THE COLOR, STYLE AND MATERIAL (I.E. STAINLESS STEEL, PLASTIC, ETC.) OF THE ELECTRICAL DEVICE FACEPLATE WITHIN EACH SPACE.
- ALL HORIZONTAL CABLES (CATEGORY CABLE, COAX, FIBER, ETC.) SHALL BE CERTIFIED BY USING A MINIMUM OF A LEVEL III CERTIFICATION TESTER THAT IS WITHIN MANUFACTURER'S CALIBRATION PERIOD.
- ALL BACKBONE FIBER STRANDS SHALL BE CERTIFIED BY USING A MINIMUM OF A LEVEL III CERTIFICATION TESTER THAT IS WITHIN MANUFACTURER'S CALIBRATION PERIOD.

GENERAL NOTES - TECHNOLOGY - AUDIO SYSTEMS

- AUDIO SYSTEM SHALL BE FREE OF NOISE, RATTLE, HUM, BUZZ, OR ANY OTHER AUDIO DISTORTIONS
- SECURE CABLES UTILIZING VELCRO STRAPS. WIRE "ZIP TIES" SHALL NOT BE USED
- ROUTE ALL CABLES IN A MANNER THAT WILL ENSURE SIGNAL INTEGRITY AND WILL NOT INTRODUCE CROSSTALK
- PROVIDE A SERVICE LOOP FOR RACKS AND EQUIPMENT SUITABLE TO EASILY PLUG AND UNPLUG EQUIPMENT FOR TROUBLESHOOTING OR REPLACEMENT
- NEATLY DRESS ALL CABLING INSTALLED INSIDE AND OUTSIDE OF RACKS IN A SUITABLE HARNESS TO KEEP CABLES CLEAN, NEAT, AND TIDY
- COMMISSION AUDIO SYSTEM USING AUDIO MEASUREMENT MICROPHONE AND SOFTWARE (SMART OR EASERA)
- ADJUST EQ AND CROSSOVER SETTINGS IN AMPLIFIER AND/OR DSP TO PROVIDE FLAT FREQUENCY RESPONSE, FULL RANGE AUDIO WITH PROTECTIVE LIMITING
- USE SPEECH, HIGH QUALITY REFERENCE AUDIO, AND SINE WAVE SWEEPS TO TEST THE SYSTEM - CORRECT ANY ABNORMALITIES
- VERIFY PROPER FUNCTION OF ALL INSTALLED EQUIPMENT (NEW AND EXISTING)
- TURN OVER EXISTING UNUSED EQUIPMENT TO OWNER - NEATLY ORGANIZED
- COORDINATE WITH OWNER FOR LABELING OF EQUIPMENT AND AUDIO CONSOLE CHANNELS AND BUSES AS WELL AS CONSOLE CONFIGURATION
- REMOTE MOUNT ALL ANTENNAS AS REQUIRED FOR MAXIMUM PERFORMANCE
- CONFIGURE DELAYS ON ANY SPEAKERS THAT ARE STAGGERED IN A LISTENING PLANE TO TIME-ALIGN AUDIO
- CONNECT COMPONENTS TO POWER SEQUENCER IN SUCH A WAY AS TO MITIGATE POPPING AND SYSTEM DAMAGE DURING SYSTEM POWER UP AND POWER DOWN

GENERAL NOTES - TECHNOLOGY - VIDEO SYSTEMS

- INSTALLED VIDEO SYSTEMS SHALL NOT HAVE NOISE, FLICKER, UNEVEN BRIGHTNESS, OR ANY OTHER VISUAL ANOMALIES OR DEFICIENCIES
- EDD SHALL BE MANAGED AND MAINTAINED TO ENSURE PROPER DISPLAY IDENTIFICATION BY SOURCES
- HDCP SHALL BE MAINTAINED FROM ALL SOURCES TO ALL SINKS
- COORDINATE ALL NETWORK NEEDS WITH OWNER INCLUDING IP ADDRESSING, PROTOCOLS REQUIRED FOR EQUIPMENT OPERATION, AND BANDWIDTH IMPLICATIONS

ISSUED FOR

DATE

PROJECT TITLE
OGLE HALL AV UPGRADES

OWNER
IVY TECH COMMUNITY COLLEGE

SITE ADDRESS
8204 HWY 311
SELLERSBURG, IN

SEAL

SHEET TITLE
TECHNOLOGY SYMBOLS AND GENERAL NOTES

DATE
JUNE 8, 2026
SHEET NUMBER

TG 001
PROJECT NUMBER
26-064.003

ALL SHEETS INTENDED FOR COLOR PLOT, VERIFY BLACK AND WHITE PLOT FOR INFORMATION INTEGRITY

- KEYED NOTES - TECHNOLOGY - DEMOLITION**
- 1 REMOVE TOUCH PANEL AND ASSOCIATED WALL BOX, TURN OVER TO IVY TECH IT DEPT. TO EXERCISE RIGHT OF DISPOSITION. REMOVE CABLING BACK TO SOURCE. DISPOSE OF CABLING AND UNWANTED EQUIPMENT OFF SITE.
 - 2 REMOVE PROJECTOR SCREEN, TURN OVER TO IVY TECH IT DEPT. TO EXERCISE RIGHT OF DISPOSITION. REMOVE EXISTING CABLING BACK TO SOURCE. DISPOSE OF CABLING AND UNWANTED EQUIPMENT OFF SITE.
 - 3 REMOVE AV FACEPLATE, AV CABLING, AND CRESTRON CRESNET CABLING FROM FLOOR BOX AND BACK TO SOURCE. DISPOSE OF EQUIPMENT AND CABLING OFF SITE.
 - 4 REMOVE PROJECTOR AND MOUNT, TURN OVER TO IVY TECH IT DEPT. REMOVE AV CABLING BACK TO SOURCE AND DISPOSE OFF SITE. RETAIN PROJECTOR POWER OUTLET, COLUMN, AND NETWORK CABLING FOR REUSE.
 - 5 REMOVE PROJECTOR, MOUNT, AND SET TOP BOX. TURN PROJECTOR AND MOUNT OVER TO IVY TECH IT DEPT. RETAIN PROJECTOR POWER OUTLET, COLUMN, NETWORK CABLING, AND SET TOP BOX FOR REUSE. REMOVE AV CABLING BACK TO SOURCE AND DISPOSE OFF SITE. PRESERVE COAXIAL CABLE PATHWAY AND NETWORK CABLING FOR REUSE.
 - 6 REMOVE ALL AV SYSTEM SPEAKERS FROM AUDITORIUM, COMMUNITY ROOM, AND CORRIDORS. TURN SPEAKERS OVER TO IVY TECH IT DEPT. TO EXERCISE RIGHT OF DISPOSITION. REMOVE ALL SPEAKER CABLING BACK TO SOURCE AND DISPOSE OF CABLING AND REFUSED EQUIPMENT OFF SITE.
 - 7 REMOVE CONFERENCE CAMERA, MOUNT, AND CABLING BACK TO SOURCE. TURN OVER TO IVY TECH IT DEPT. DISPOSE OF CABLING OFF SITE.
 - 8 REMOVE AV WALL PLATE AND AV CABLING BACK TO SOURCE. DISPOSE OF CABLING AND CONNECTIONS OFF SITE. PRESERVE NETWORK CABLING AND JACKS FOR REUSE.
 - 9 REMOVE AV/DATA WALL PLATE AND ALL CABLING BACK TO SOURCE. DISPOSE OF CABLING AND CONNECTIONS OFF SITE.
 - 10 REMOVE SELECT AV EQUIPMENT FROM EXISTING AV RACK AND TURN OVER TO OWNER TO EXERCISE RIGHT OF DISPOSITION. REFER TO AV RACK DETAILS FOR SPECIFIC EQUIPMENT TO BE REMOVED.



ISSUED FOR DATE

PROJECT TITLE
 OGLE HALL AV
 UPGRADES

OWNER
 IVY TECH
 COMMUNITY
 COLLEGE

SITE ADDRESS
 8204 HWY 311
 SELLERSBURG, IN

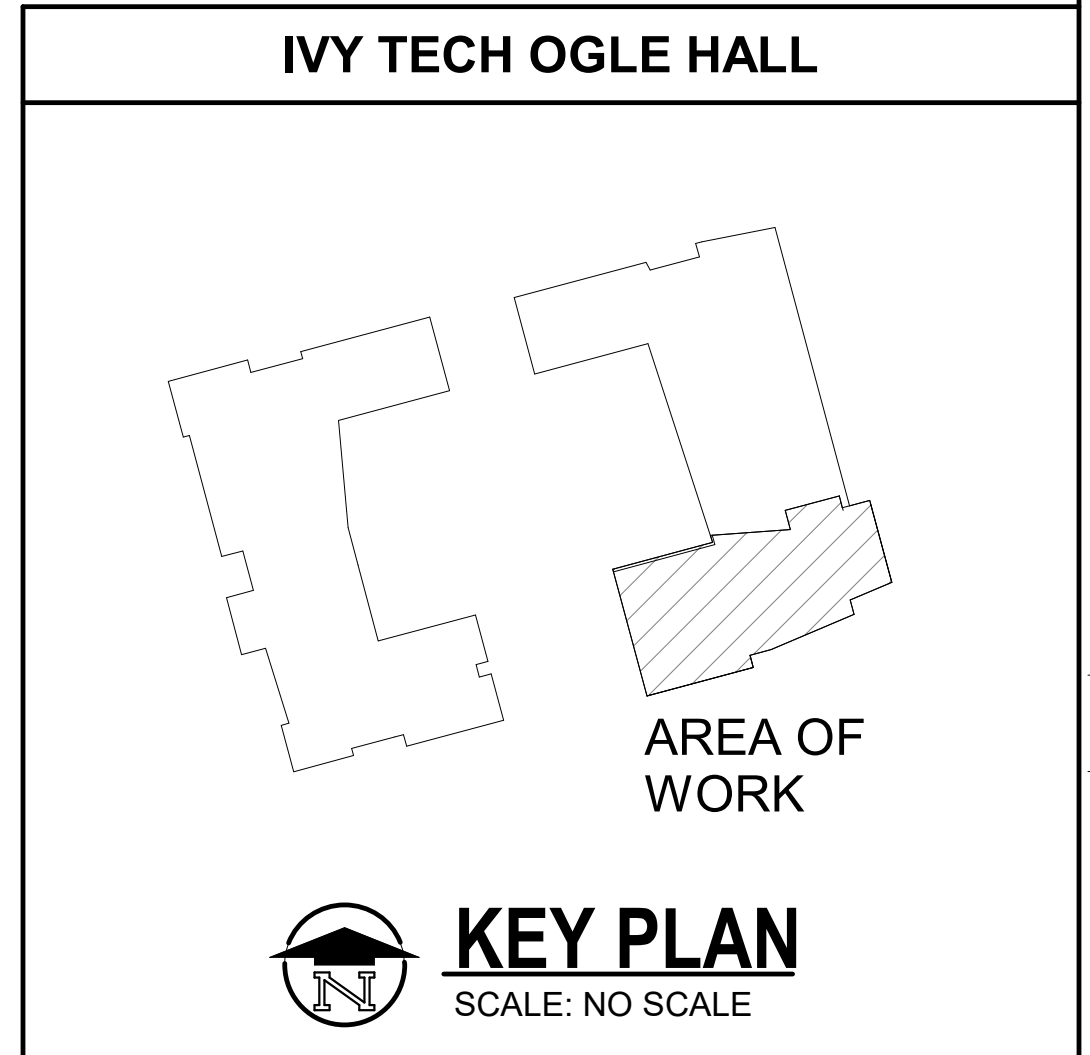
SEAL

SHEET TITLE
 FIRST FLOOR
 TECHNOLOGY
 DEMOLITION PLAN -
 UNIT A

DATE
 JUNE 8, 2026
 SHEET NUMBER

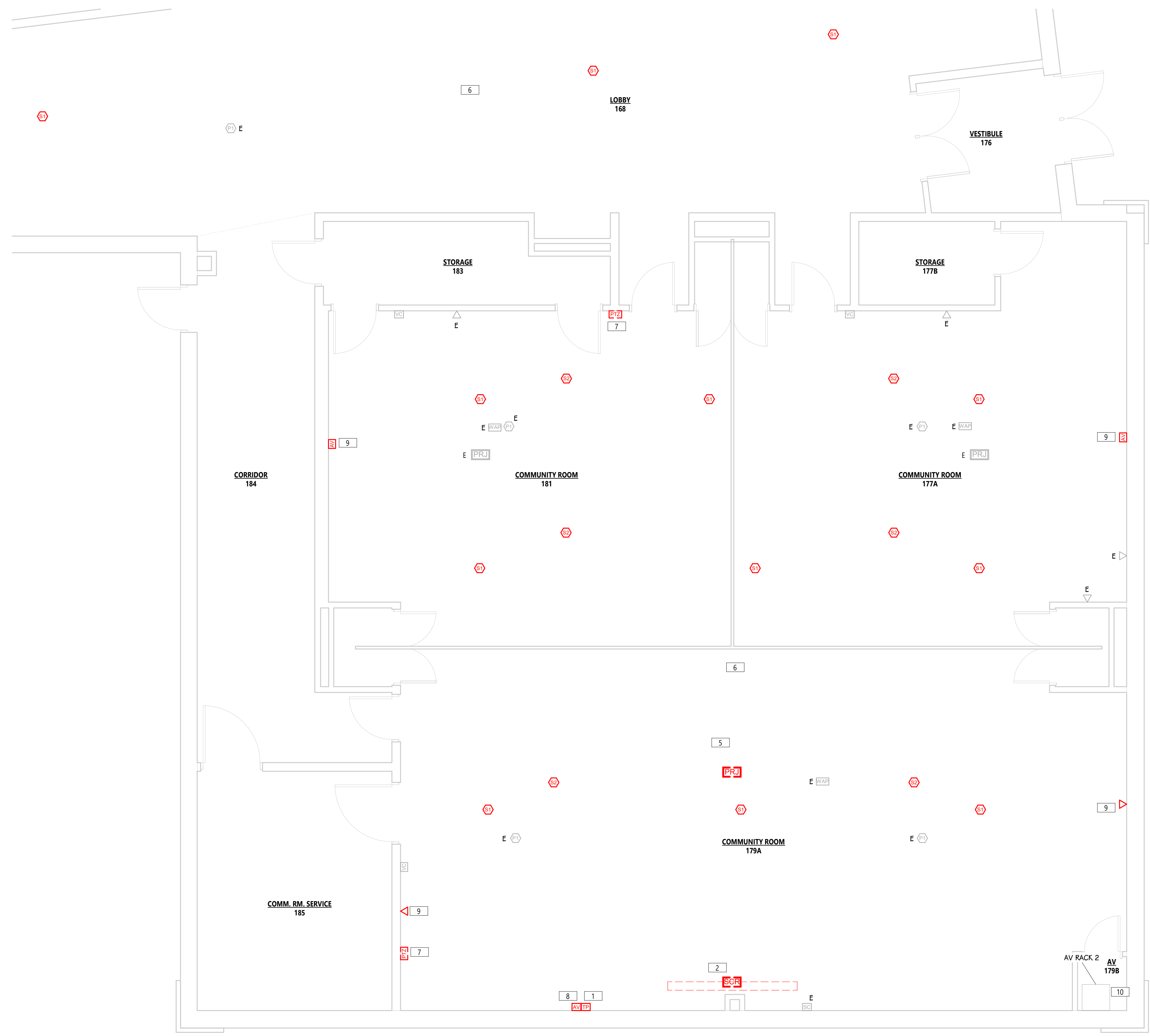
TD 101A
 PROJECT NUMBER
 26-064.003

ALL SHEETS INTENDED FOR COLOR PLOT. VERY BLACK AND WHITE PLOT FOR INFORMATION INTEGRITY



FIRST FLOOR TECHNOLOGY DEMOLITION PLAN - UNIT A
 1/4" = 1'-0"

- KEYED NOTES - TECHNOLOGY - DEMOLITION**
- 1 REMOVE TOUCH PANEL AND ASSOCIATED WALL BOX, TURN OVER TO IVY TECH IT DEPT. TO EXERCISE RIGHT OF DISPOSITION. REMOVE CABLING BACK TO SOURCE. DISPOSE OF CABLING AND UNWANTED EQUIPMENT OFF SITE.
 - 2 REMOVE PROJECTOR SCREEN, TURN OVER TO IVY TECH IT DEPT. TO EXERCISE RIGHT OF DISPOSITION. REMOVE EXISTING CABLING BACK TO SOURCE. DISPOSE OF CABLING AND UNWANTED EQUIPMENT OFF SITE.
 - 3 REMOVE AV FACEPLATE, AV CABLING, AND CRESTRON CRESNET CABLING FROM FLOOR BOX AND BACK TO SOURCE. DISPOSE OF EQUIPMENT AND CABLING OFF SITE.
 - 4 REMOVE PROJECTOR AND MOUNT, TURN OVER TO IVY TECH IT DEPT. REMOVE AV CABLING BACK TO SOURCE AND DISPOSE OFF SITE. RETAIN PROJECTOR POWER OUTLET, COLUMN, AND NETWORK CABLING FOR REUSE.
 - 5 REMOVE PROJECTOR, MOUNT, AND SET TOP BOX. TURN PROJECTOR AND MOUNT OVER TO IVY TECH IT DEPT. RETAIN PROJECTOR POWER OUTLET, COLUMN, NETWORK CABLING, AND SET TOP BOX FOR REUSE. REMOVE AV CABLING BACK TO SOURCE AND DISPOSE OFF SITE. PRESERVE COAXIAL CABLE PATHWAY AND NETWORK CABLING FOR REUSE.
 - 6 REMOVE ALL AV SYSTEM SPEAKERS FROM AUDITORIUM, COMMUNITY ROOM, AND CORRIDORS. TURN SPEAKERS OVER TO IVY TECH IT DEPT. TO EXERCISE RIGHT OF DISPOSITION. REMOVE ALL SPEAKER CABLING BACK TO SOURCE AND DISPOSE OF CABLING AND REFUSED EQUIPMENT OFF SITE.
 - 7 REMOVE CONFERENCE CAMERA, MOUNT, AND CABLING BACK TO SOURCE. TURN OVER TO IVY TECH IT DEPT. DISPOSE OF CABLING OFF SITE.
 - 8 REMOVE AV WALL PLATE AND AV CABLING BACK TO SOURCE. DISPOSE OF CABLING AND CONNECTIONS OFF SITE. PRESERVE NETWORK CABLING AND JACKS FOR REUSE.
 - 9 REMOVE AV/DATA WALL PLATE AND ALL CABLING BACK TO SOURCE. DISPOSE OF CABLING AND CONNECTIONS OFF SITE.
 - 10 REMOVE SELECT AV EQUIPMENT FROM EXISTING AV RACK AND TURN OVER TO OWNER TO EXERCISE RIGHT OF DISPOSITION. REFER TO AV RACK DETAILS FOR SPECIFIC EQUIPMENT TO BE REMOVED.



ISSUED FOR _____ DATE _____

PROJECT TITLE
OGLE HALL AV UPGRADES

OWNER
IVY TECH COMMUNITY COLLEGE

SITE ADDRESS
 8204 HWY 311
 SELLERSBURG, IN

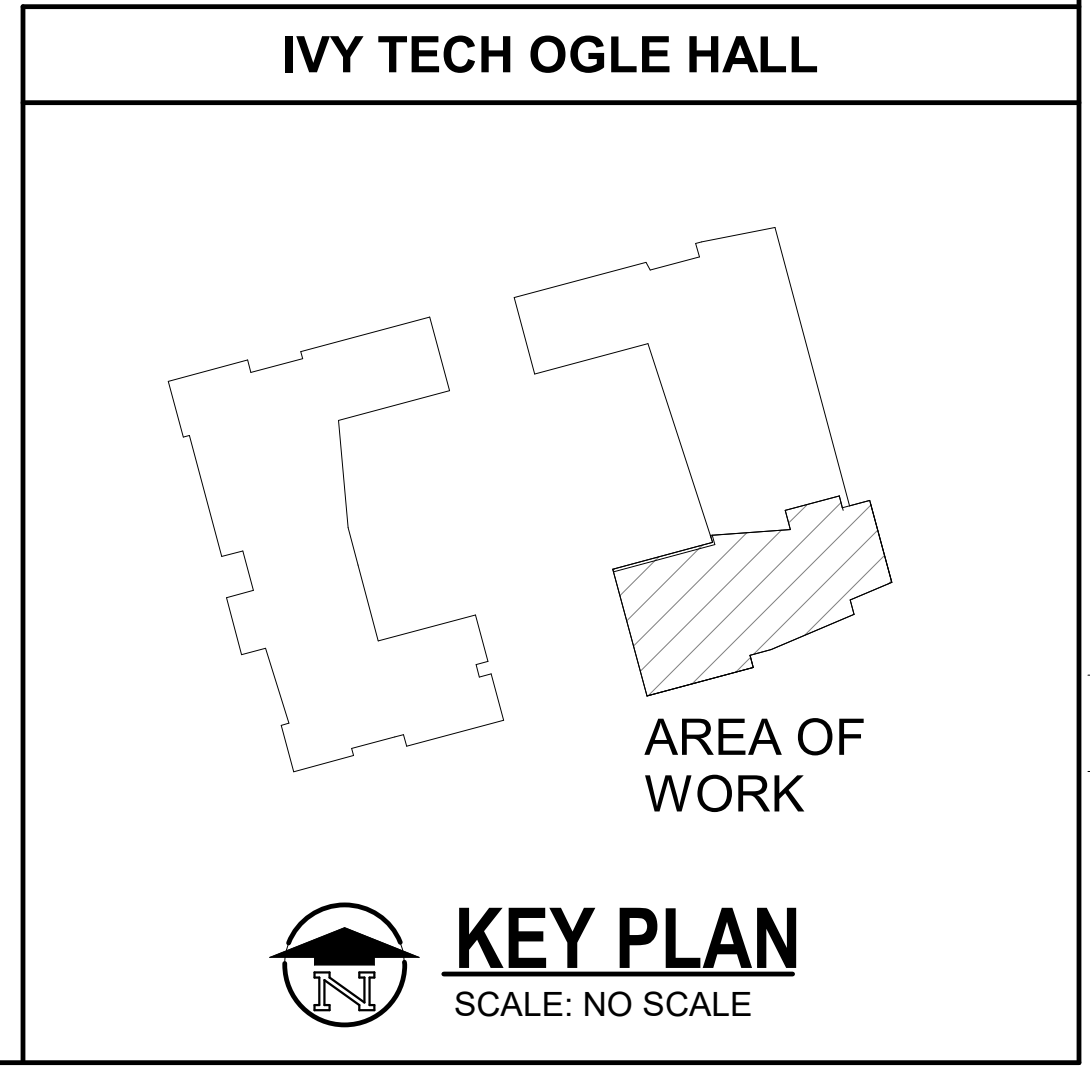
SEAL

SHEET TITLE
FIRST FLOOR TECHNOLOGY DEMOLITION PLAN - UNIT B

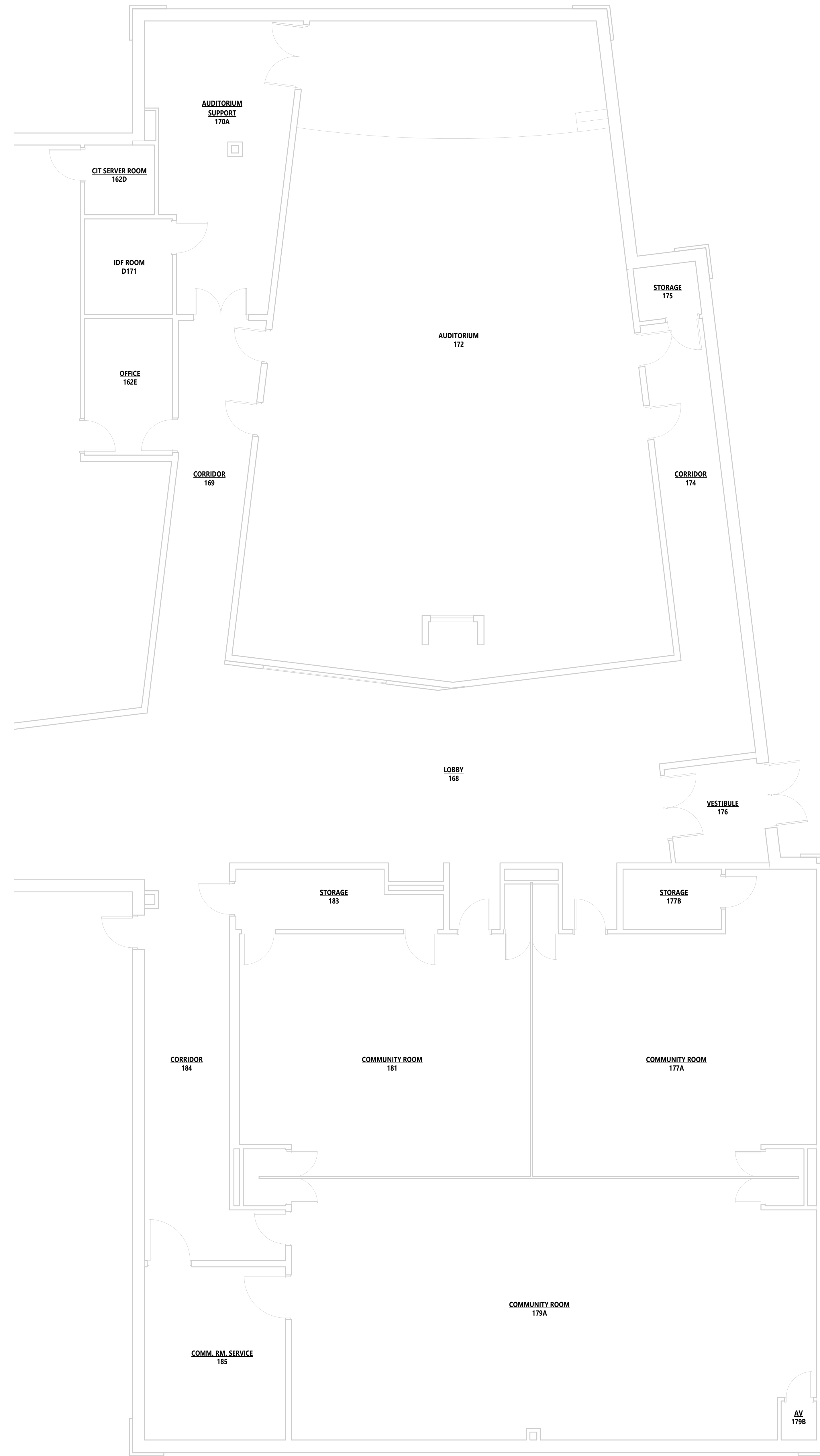
DATE
 JUNE 8, 2026
 SHEET NUMBER

TD 101B
 PROJECT NUMBER
 26-064.003

ALL SHEETS INTENDED FOR COLOR PLOT. VERY BLACK AND WHITE PLOT FOR INFORMATION INTEGRITY



FIRST FLOOR TECHNOLOGY DEMOLITION PLAN - UNIT B
 1/4" = 1'-0"



ISSUED FOR _____ DATE _____

PROJECT TITLE
 OGLE HALL AV
 UPGRADES

OWNER
 IVY TECH
 COMMUNITY
 COLLEGE

SITE ADDRESS
 8204 HWY 311
 SELLERSBURG, IN

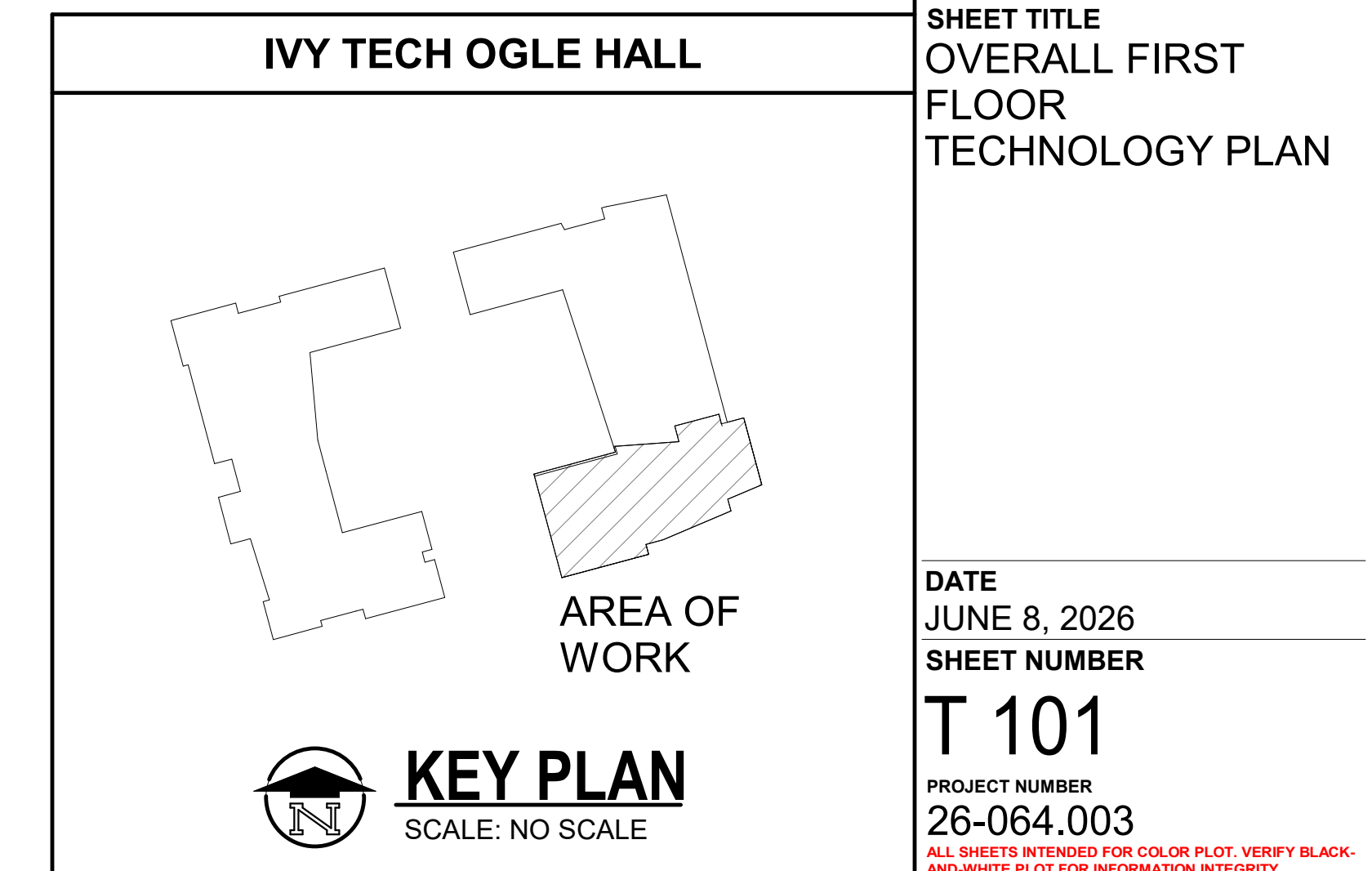
SEAL

SHEET TITLE
 OVERALL FIRST
 FLOOR
 TECHNOLOGY PLAN

DATE
 JUNE 8, 2026
 SHEET NUMBER

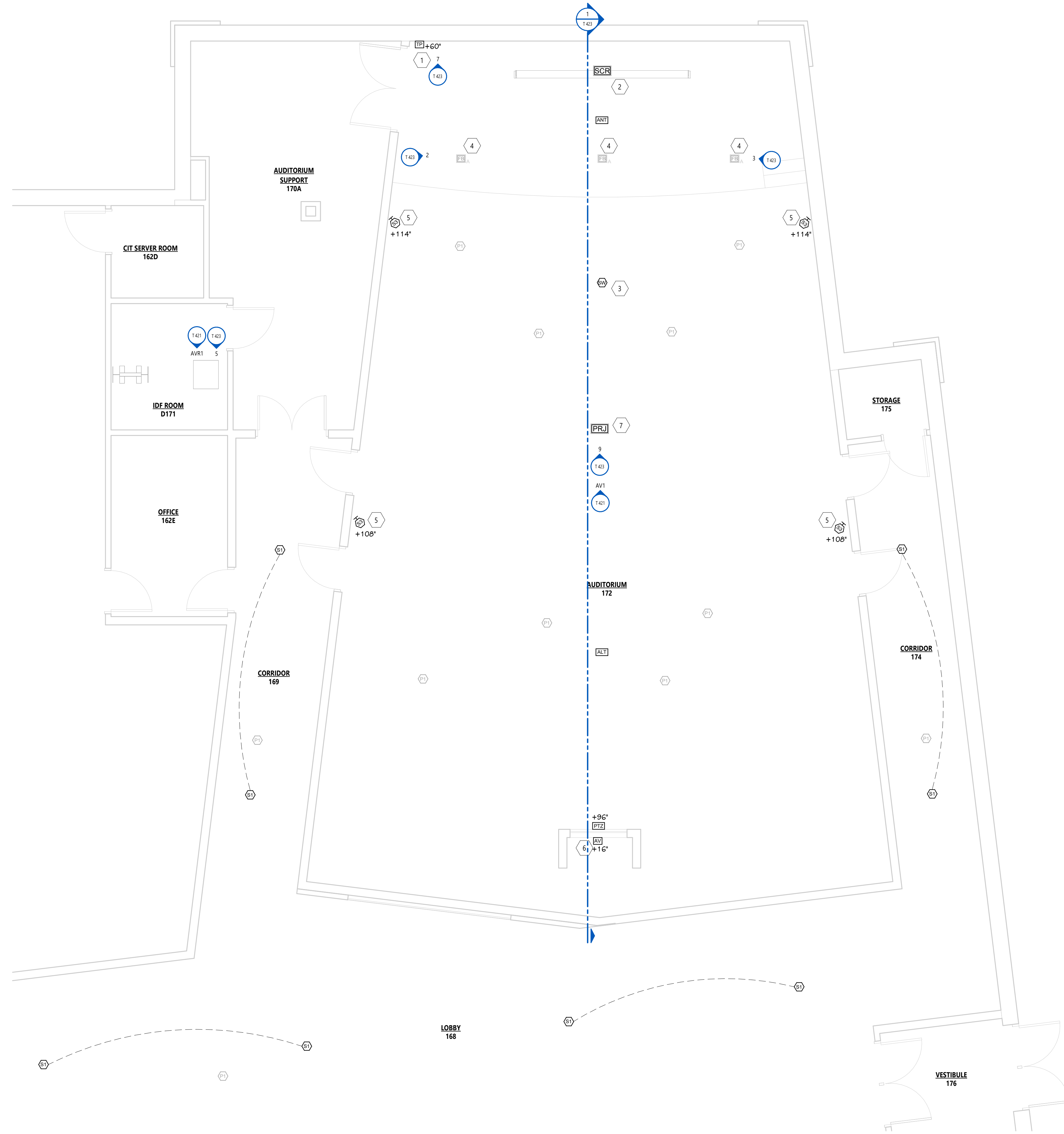
T 101
 PROJECT NUMBER
 26-064.003

ALL SHEETS INTENDED FOR COLOR PLOT. VERY BLACK AND WHITE PLOT FOR INFORMATION INTEGRITY.



OVERALL FIRST FLOOR TECHNOLOGY PLAN
 3/16" = 1'-0"

KEYED NOTES - TECHNOLOGY - CONSTRUCTION	
1	REUSE EXISTING TOUCH PANEL LOCATION AND INSTALL NEW TOUCH PANEL INTO TWO-GANG ELECTRICAL BOX USING MANUFACTURER'S WALL MOUNT BRACKET.
2	INSTALL NEW PROJECTOR SCREEN IN ACCORDANCE WITH MANUFACTURER'S INSTALLATION GUIDELINES. REUSE EXISTING SCREEN POWER CONNECTION.
3	INSTALL SUBWOOFER ABOVE CEILING CLOUDS. ATTACH TO STRUCTURE IN ACCORDANCE WITH MANUFACTURER'S INSTRUCTIONS. TIME ALIGN SUBWOOFER WITH MAIN SPEAKERS.
4	PROVIDE AND INSTALL AV NETWORK WALLPLATE IN EACH STAGE FLOOR BOX WITH CONNECTION FOR AV CONFERENCE BRIDGE. REFER TO DETAILS.
5	MAIN LEFT-RIGHT SPEAKER HEIGHT IS TO CENTER OF SPEAKER FROM THE STAGE FLOOR. DELAY SPEAKER HEIGHT IS TO THE CENTER OF SPEAKER FROM THE AUDITORIUM FLOOR. TIME ALIGN DELAY SPEAKERS WITH MAIN SPEAKERS.
6	REUSE EXISTING RECESSED WALL BOX LOCATION FOR NEW AV WALL PLATE.
7	REUSE EXISTING PROJECTOR POWER LOCATION FOR NEW PROJECTOR.



ISSUED FOR _____ DATE _____

PROJECT TITLE
OGLE HALL AV
UPGRADES

OWNER
IVY TECH
COMMUNITY
COLLEGE

SITE ADDRESS
8204 HWY 311
SELLERSBURG, IN

SEAL

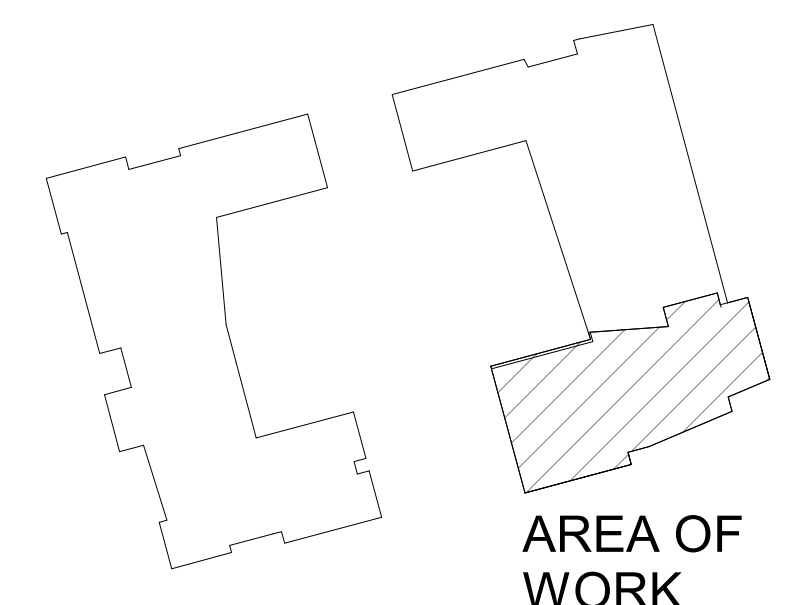
SHEET TITLE
FIRST FLOOR
TECHNOLOGY PLAN
- UNIT A

DATE
JUNE 8, 2026
SHEET NUMBER

T 101A
PROJECT NUMBER
26-064.003

ALL SHEETS INTENDED FOR COLOR PLOT. VERY BLACK AND WHITE PLOT FOR INFORMATION INTEGRITY.

IVY TECH OGLE HALL



KEY PLAN
SCALE: NO SCALE

FIRST FLOOR TECHNOLOGY PLAN - UNIT A
1/4" = 1'-0"

KEYED NOTES - TECHNOLOGY - CONSTRUCTION	
1	REUSE EXISTING TOUCH PANEL LOCATION AND INSTALL NEW TOUCH PANEL INTO TWO-GANG ELECTRICAL BOX USING MANUFACTURER'S WALL MOUNT BRACKET.
2	INSTALL NEW PROJECTOR SCREEN IN ACCORDANCE WITH MANUFACTURER'S INSTALLATION GUIDELINES. REUSE EXISTING SCREEN POWER CONNECTION.
3	INSTALL SUBWOOFER ABOVE CEILING CLOUDS. ATTACH TO STRUCTURE IN ACCORDANCE WITH MANUFACTURER'S INSTRUCTIONS. TIME ALIGN SUBWOOFER WITH MAIN SPEAKERS.
4	PROVIDE AND INSTALL AV NETWORK WALLPLATE IN EACH STAGE FLOOR BOX WITH CONNECTION FOR AV CONFERENCE BRIDGE. REFER TO DETAILS.
5	MAIN LEFT-RIGHT SPEAKER HEIGHT IS TO CENTER OF SPEAKER FROM THE STAGE FLOOR. DELAY SPEAKER HEIGHT IS TO THE CENTER OF SPEAKER FROM THE AUDITORIUM FLOOR. TIME ALIGN DELAY SPEAKERS WITH MAIN SPEAKERS.
6	REUSE EXISTING RECESSED WALL BOX LOCATION FOR NEW AV WALL PLATE.
7	REUSE EXISTING PROJECTOR POWER LOCATION FOR NEW PROJECTOR.



ISSUED FOR _____ DATE _____

PROJECT TITLE
OGLE HALL AV UPGRADES

OWNER
IVY TECH COMMUNITY COLLEGE

SITE ADDRESS
 8204 HWY 311
 SELLERSBURG, IN

SEAL _____

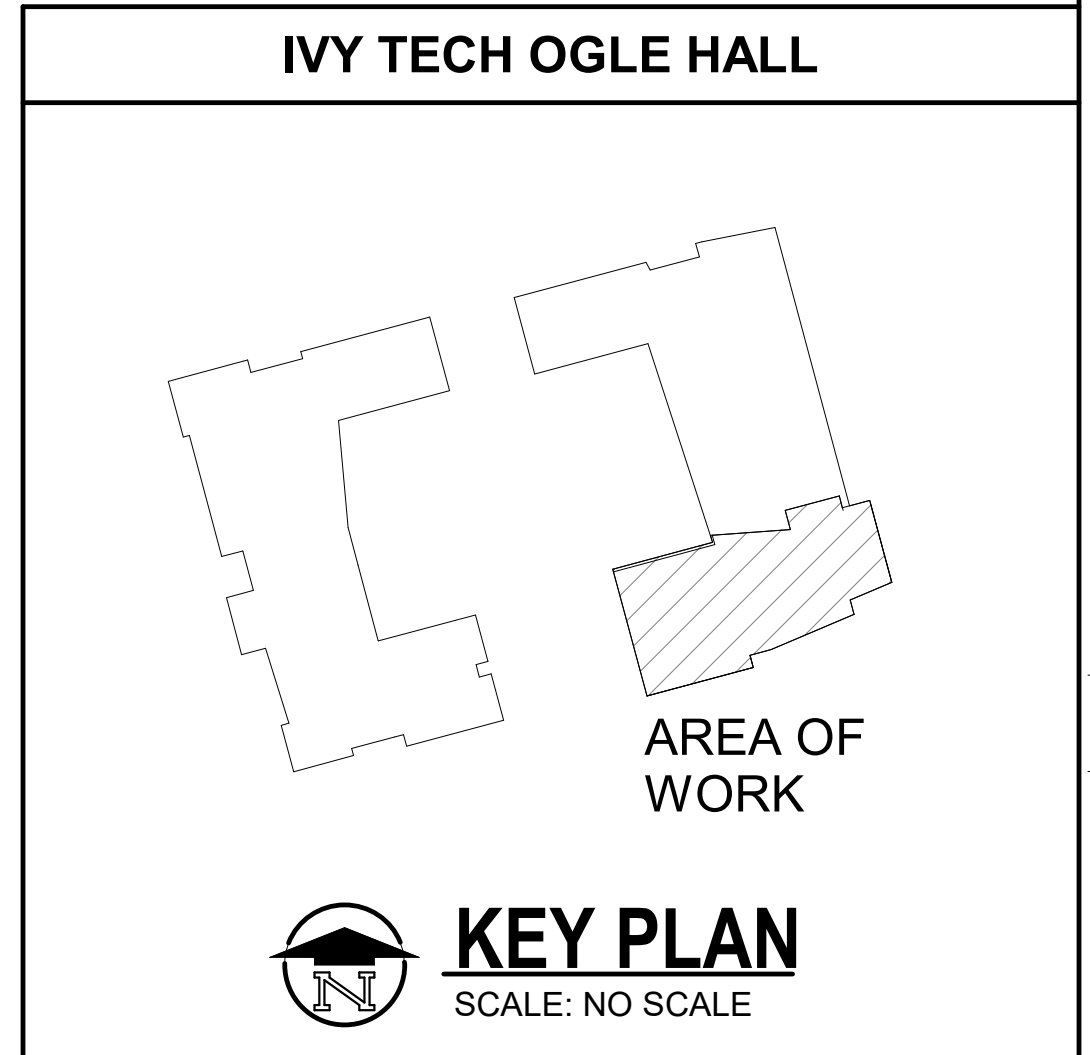
SHEET TITLE
FIRST FLOOR TECHNOLOGY PLAN - UNIT B

DATE
 JUNE 8, 2026

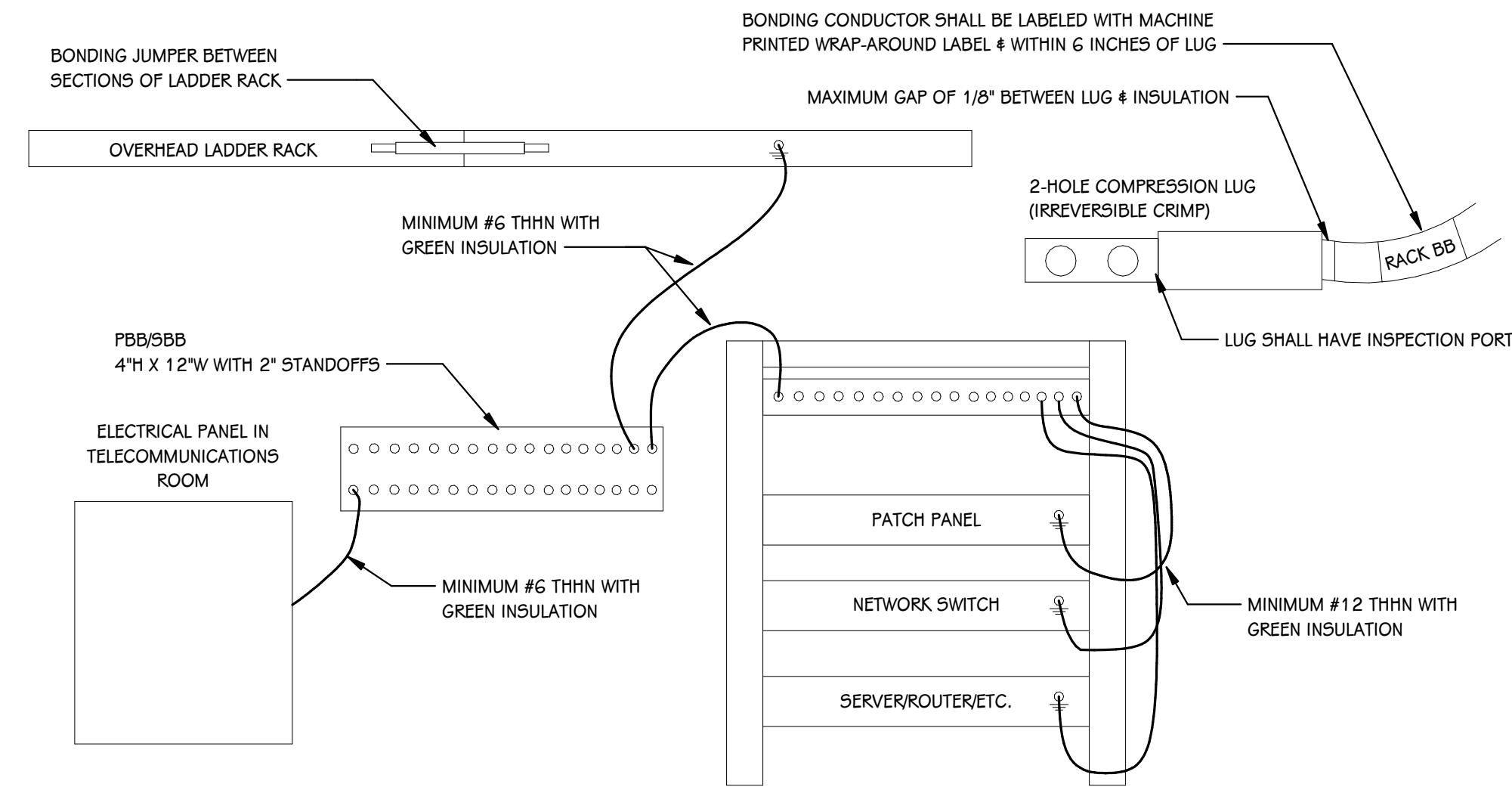
SHEET NUMBER
T 101B

PROJECT NUMBER
 26-064.003

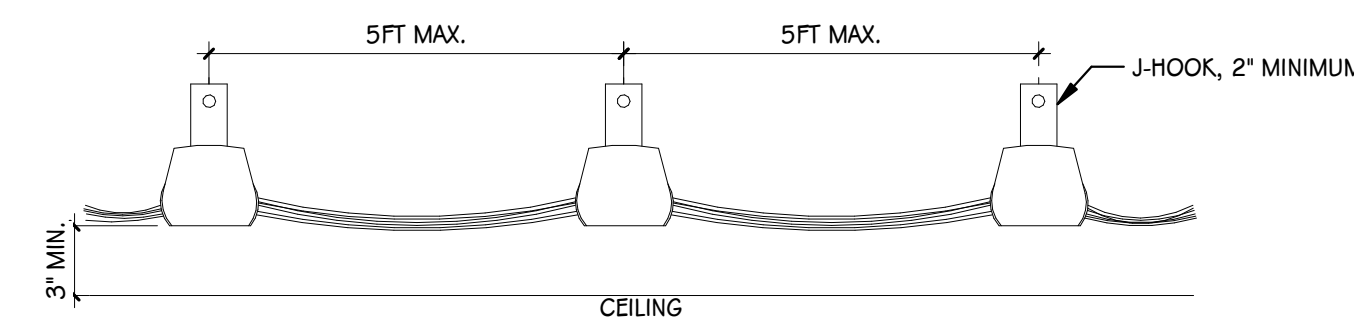
ALL SHEETS INTENDED FOR COLOR PLOT. VERY BLACK AND WHITE PLOT FOR INFORMATION INTEGRITY



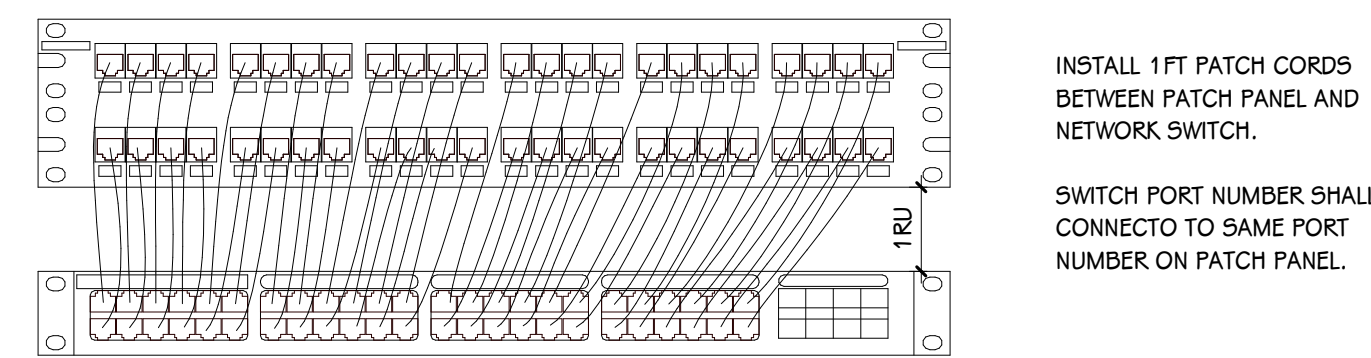
FIRST FLOOR TECHNOLOGY PLAN - UNIT B
 1/4" = 1'-0"



TELECOMMUNICATION ROOM BONDING DETAIL
SCALE: NONE



CABLE SUPPORT DETAIL
SCALE: NONE



SWITCH - PATCH PANEL CROSS CONNECT SAMPLE
SCALE: NONE

PATCH CORD SCHEDULE

COLOR	PURPOSE	MANUFACTURER	PART #	QUANTITY
WHITE	CROSS CONNECT IN TELECOM RM	PANDUIT	UTP28SP1	1 PER INSTALLED CABLE
WHITE	WORKSTATION OR DEVICE	PANDUIT	UTPSP10Y	1 PER INSTALLED CABLE
BLUE	INSTALLED IN PLENUM SPACE	PANDUIT	UPPBU10	1 PER INSTALLED CABLE

DATA CABLE SCHEDULE

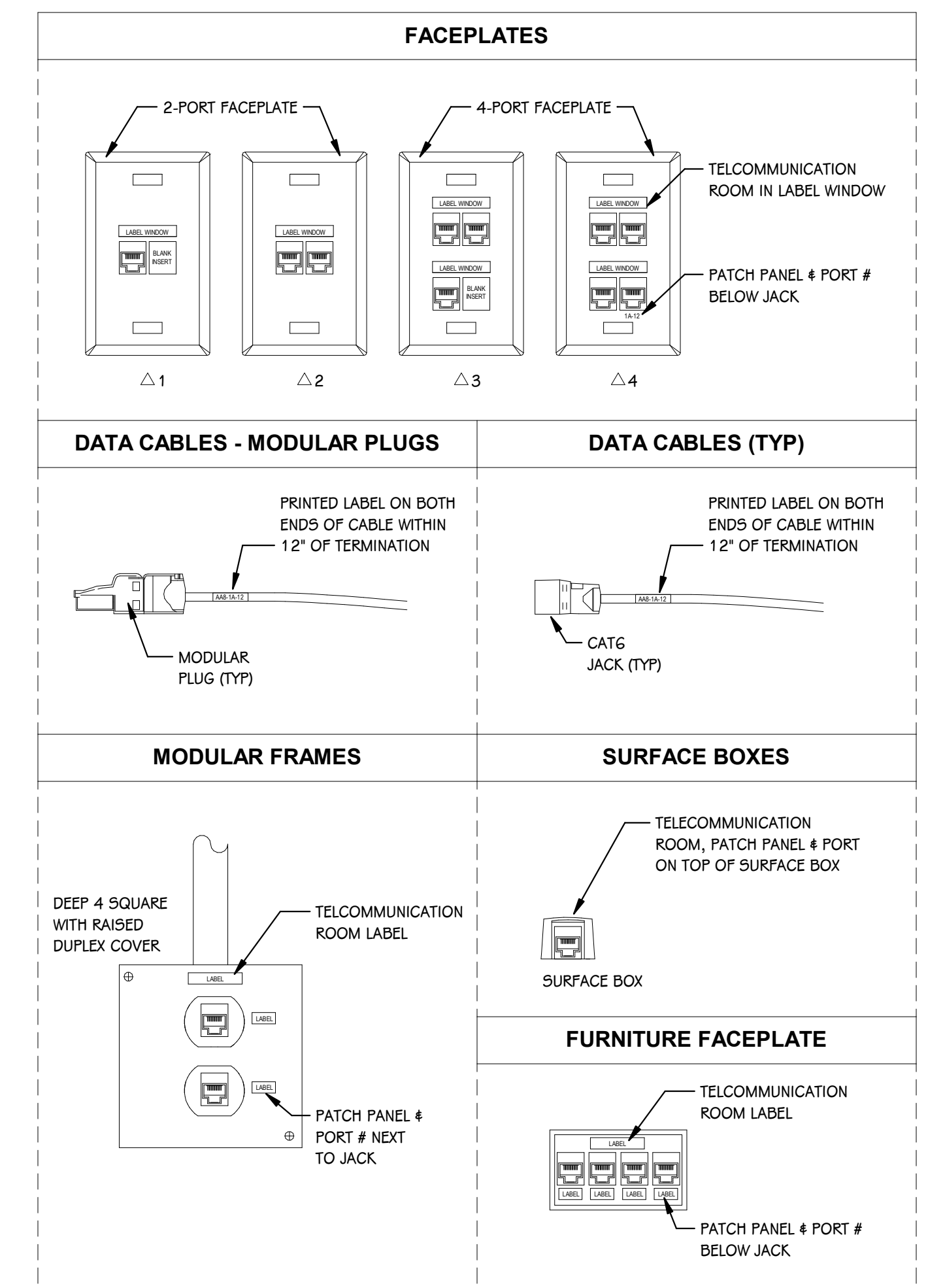
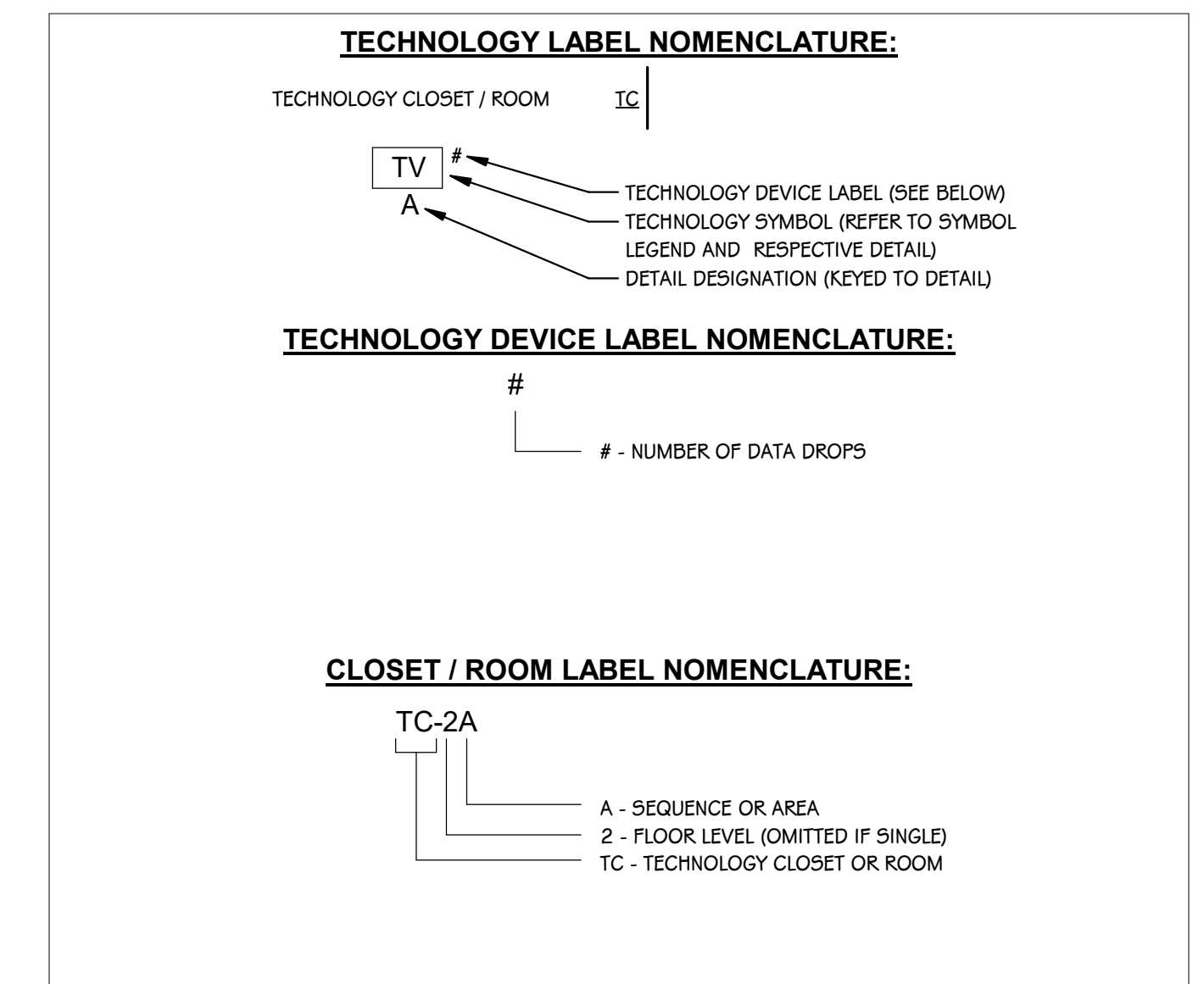
COLOR	PURPOSE	MANUFACTURER	PART #
WHITE	PLENUM CAT6 CABLE	GENERAL CABLE	7131801
WHITE	RISER CAT6 CABLE	GENERAL CABLE	7133801

DATA JACK SCHEDULE

COLOR	PURPOSE	MANUFACTURER	PART #
GREEN	AUDIO/VISUAL SYSTEMS	PANDUIT	CJ688TGGR
WHITE	GENERAL DATA	PANDUIT	CJ688TGW

FACEPLATE & SURFACE BOX SCHEDULE

COLOR	TYPE	MANUFACTURER	PART #
MATCH ELEC	1-PORT FACEPLATE SINGLE-GANG	PANDUIT	CFPL11"Y
MATCH ELEC	2-PORT FACEPLATE SINGLE-GANG	PANDUIT	CFPL21"Y
MATCH ELEC	3-PORT FACEPLATE SINGLE-GANG	PANDUIT	CFPL31"Y
MATCH ELEC	4-PORT FACEPLATE SINGLE-GANG	PANDUIT	CFPL41"Y
MATCH ELEC	6-PORT FACEPLATE SINGLE-GANG	PANDUIT	CFPL61"Y
MATCH ELEC	1-PORT SURFACE BOX	PANDUIT	CBX1W-A
MATCH ELEC	2-PORT SURFACE BOX	PANDUIT	CBX2W-4Y
MATCH FURNITURE	4-PORT FURNITURE PLATE	PANDUIT	VARIES



ISSUED FOR DATE

PROJECT TITLE
OGLE HALL AV
UPGRADES

OWNER
IVY TECH
COMMUNITY
COLLEGE

SITE ADDRESS
8204 HWY 311
SELLERSBURG, IN

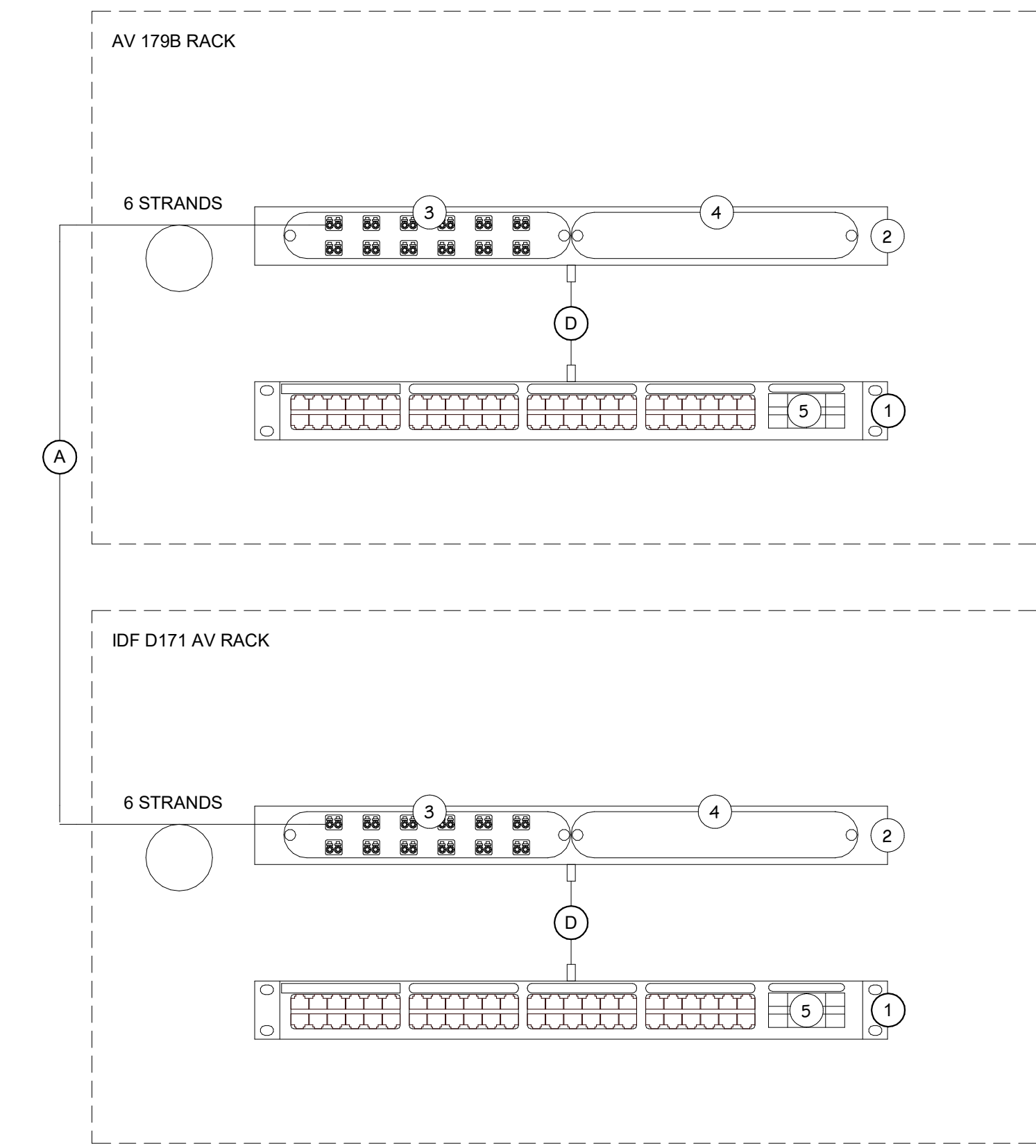
SEAL

SHEET TITLE
TECHNOLOGY
DETAILS

DATE
JUNE 8, 2026
SHEET NUMBER

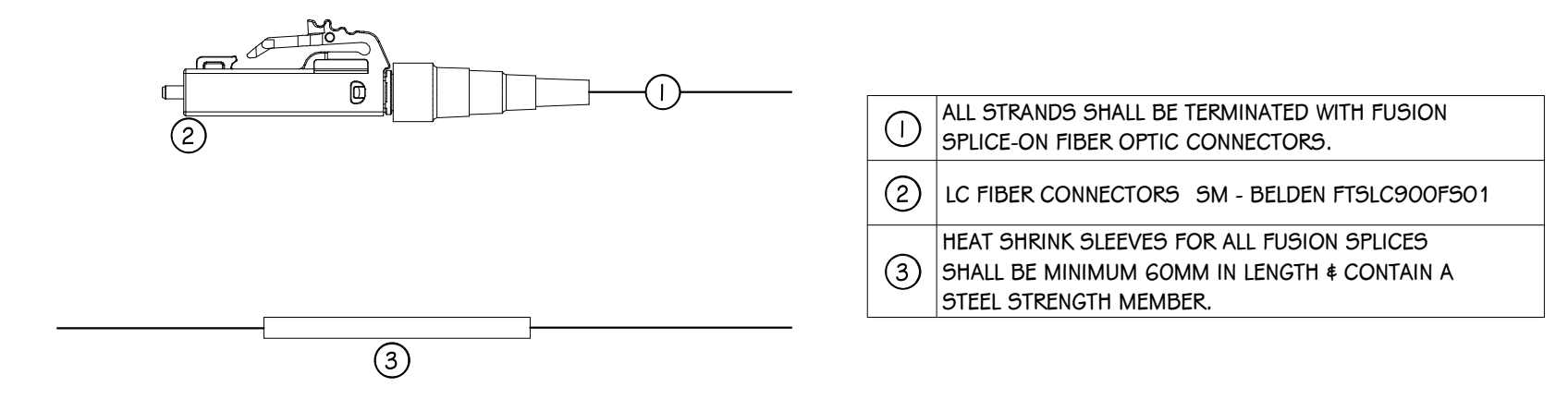
T 401
PROJECT NUMBER
26-064.003

ALL SHEETS INTENDED FOR COLOR PLOT. VERY BLACK AND WHITE PLOT FOR INFORMATION INTEGRITY



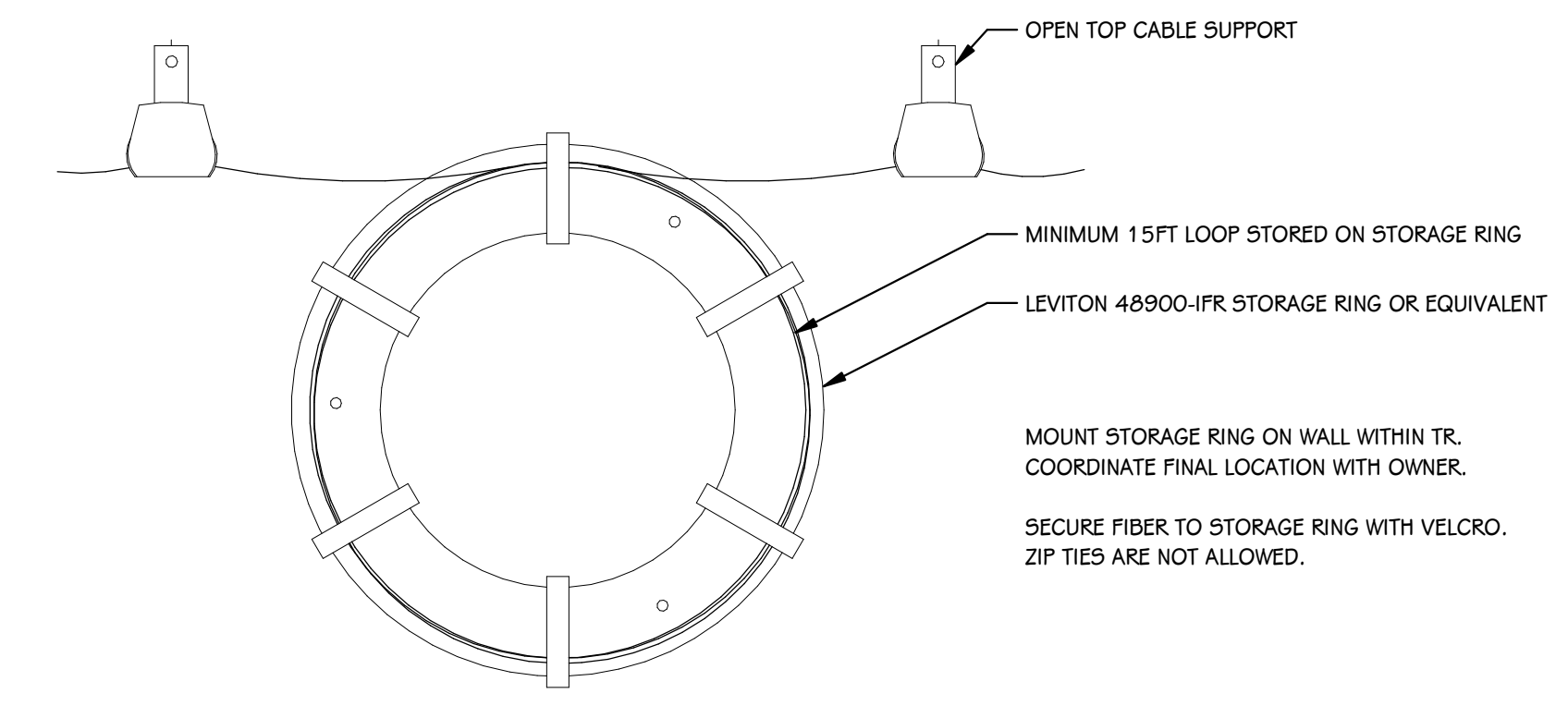
BACKBONE DETAIL
 SCALE: NONE

KEY #	DESCRIPTION	MANUFACTURER	PART #	COMMENTS
1	NETWORK SWITCH	REFER TO AV SCHEDULES	REFER TO AV SCHEDULES	
2	FIBER ENCLOSURE	BELDEN	ECK-01U	
3	FIBER ADAPTER PANEL - 5M	BELDEN	FFX06LD	
4	FIBER BLANK	BELDEN	FX ECX FRAME BLANK	
5	SFP+ TRANSCEIVER	NETGEAR	AXM762	PROVIDE THREE (3) TRANSCEIVERS FOR THE IDF AV SWITCH AND THREE (3) TRANSCEIVERS FOR THE AV179B AV SWITCH. PROVIDE SIX (6) TOTAL TRANSCEIVERS.
A	FIBER OPTIC CABLE	BELDEN	FSD006A9	LENGTH AS REQUIRED FOR APPLICATION. INCLUDE 15FT SERVICE LOOP AT EACH TERMINATION.
D	FIBER PATCH CORD - 2M 5M	BELDEN	FPSLDD002M	PROVIDE THREE (3) PATCH CORDS FOR IDF AV RACK AND THREE (3) PATCH CORDS FOR AV 179B RACK. TOTAL OF SIX (6) PATCH CORDS SHALL BE PROVIDED.



- ① ALL STRANDS SHALL BE TERMINATED WITH FUSION SPLICE-ON FIBER OPTIC CONNECTORS.
- ② LC FIBER CONNECTORS 5M - BELDEN FTSLC900FS01
- ③ HEAT SHRINK SLEEVES FOR ALL FUSION SPLICES SHALL BE MINIMUM 60MM IN LENGTH & CONTAIN A STEEL STRENGTH MEMBER.

FIBER TERMINATION & SPLICING DETAIL
 SCALE: NONE



FIBER STORAGE RING DETAIL
 SCALE: NONE

ISSUED FOR _____ DATE _____

PROJECT TITLE
OGLE HALL AV UPGRADES

OWNER
IVY TECH COMMUNITY COLLEGE

SITE ADDRESS
8204 HWY 311 SELLERSBURG, IN

SEAL

SHEET TITLE
FIBER DETAILS

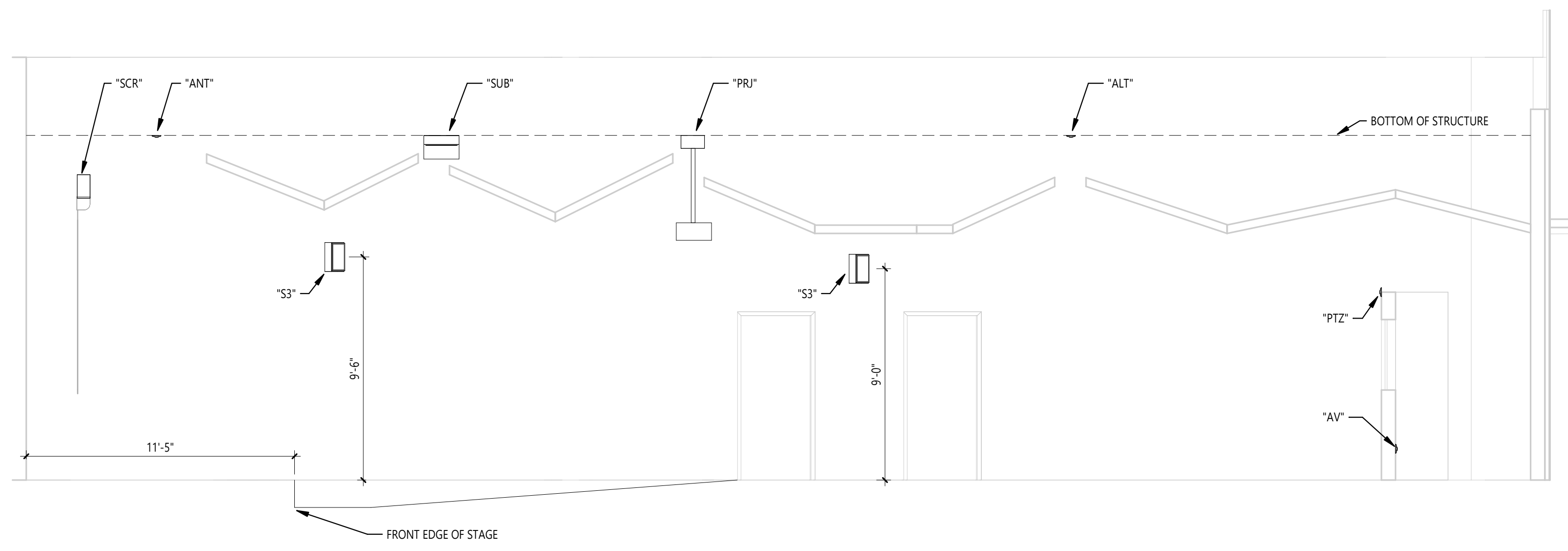
DATE
JUNE 8, 2026

SHEET NUMBER

T 404

PROJECT NUMBER
26-064.003

ALL SHEETS INTENDED FOR COLOR PLOT. VERY BLACK AND WHITE PLOT FOR INFORMATION INTEGRITY



1 AUDITORIUM SECTION (NEW)
 1/4" = 1'-0"



2 AUDITORIUM SECTION PHOTOS
 SCALE: NONE



3 STAGE BOX (TYP.)
 SCALE: NONE



4 AV WALL PLATE (TYP.)
 SCALE: NONE



5 AVR1 (IDF AV RACK)
 SCALE: NONE



6 AVR2 (COMMUNITY ROOM AV RACK)
 SCALE: NONE



7 AUDITORIUM TOUCH PANEL LOCATION
 SCALE: NONE



8 COMMUNITY ROOM TOUCH PANEL LOCATION
 SCALE: NONE



9 AUDITORIUM PROJECTOR SCREEN
 SCALE: NONE



10 COMMUNITY ROOM PROJECTOR SCREEN
 SCALE: NONE

ISSUED FOR DATE

PROJECT TITLE
 OGLE HALL AV
 UPGRADES

OWNER
 IVY TECH
 COMMUNITY
 COLLEGE

SITE ADDRESS
 8204 HWY 311
 SELLERSBURG, IN

SEAL

SHEET TITLE
 AV SECTIONS AND
 PHOTOS

DATE
 JUNE 8, 2026
 SHEET NUMBER

T 423
 PROJECT NUMBER
 26-064.003

ALL SHEETS INTENDED FOR COLOR PLOT. VERY BLACK AND WHITE PLOT FOR INFORMATION INTEGRITY